



ЕВРО-4



АВТОМОБИЛИ - САМОСВАЛЫ
DUMP - TRUCKS

АВТОМОБИЛИ - САМОСВАЛЫ

DUMP - TRUCKS

Are designed for different building and agricultural bulk cargo

(4x2)

/ MAZ

-4571 2-425

-4571 2-427

-4571 2-437



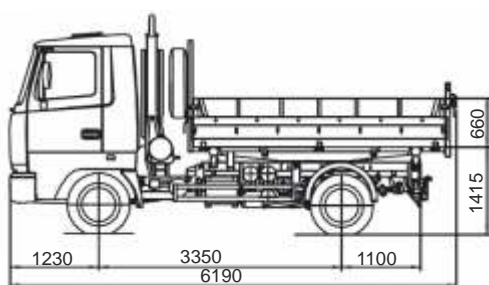
	-4571 2-425-000 (-4571 2-427-000)	-4571 2-437-000
/ Tolerable gross mass of truck, kg	10100	10100
/ Distribution of gross mass :		
- / tolerable on front axle, kg	3800	3800
- / tolerable on rear axle, kg	6300	6300
/ Equipped truck mass, kg	5890 (6010)	6100
/ Payload carried, kg	4060 (3940)	3850
/ Volume of a platform, m ³	5,4	11,5
/ Inside size of platforms, mm		
(/ / / lenght / weight / height)	3500/ 2350/ 660	3500/ 2350/ 1400
/ Engine	-245.35 4 (-4)	-245.35 4 (-4)
/ Power, kW /hp	124/169	124 / 169
/ Gearbox	FAST GEAR 6J70T	FAST GEAR 6J70T
/ Number of speeds of the gearbox	6	6
/ Gear ratio	3,9(4,44)	4,44
/ Maximum speed, km/h	85*	85*
/ Fuel tank, l	130	130
/ Tyres dimensions	235/75R17,5 (8,25R20)	8,25R20
/ Cab	2-	/ small 2-seat
/ Type platform	3-	/ platform with three-side unloading

*)

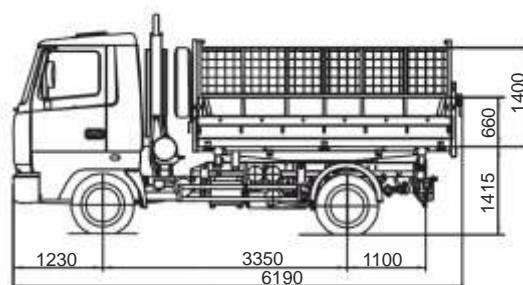
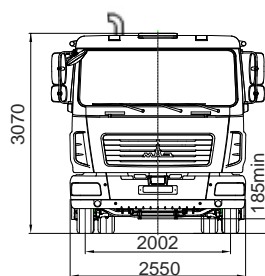
/ With speed-limiting device

/ Technical data and dimension are given for standard configuration

-4571 2-425
-4571 2-427



-4571 2-437 -





Dump-truck with three-side unloading is designed for carrying forming part of roadtrain of different bulk loads

(4 2)

/ MAZ

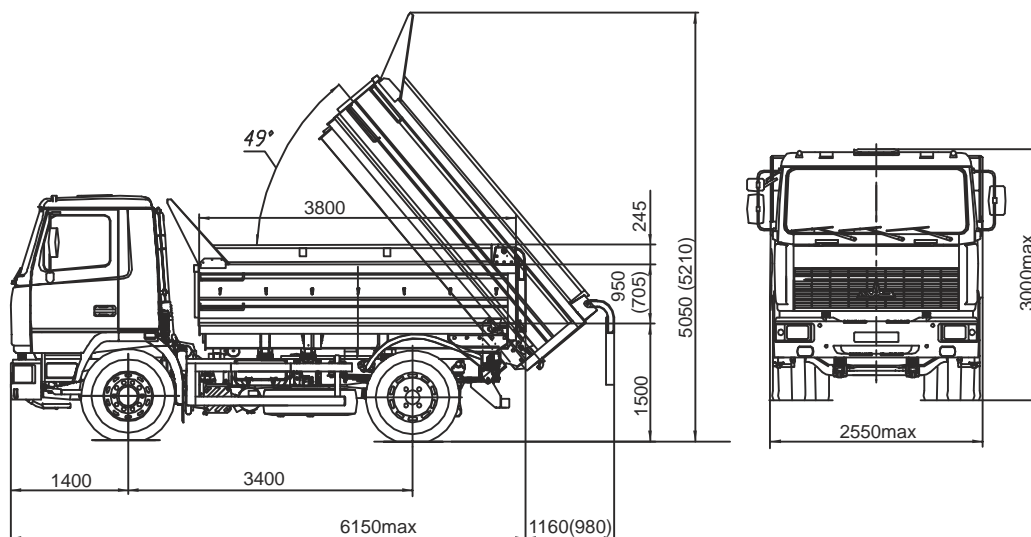
-5550 2-420 -5550 3-420
-5550 2-480 -5550 3-480

	-5550 2-420-001 (-5550 2-480-001)		-5550 3-420-012 (-5550 3-480-012)	
/ Tolerable gross mass of truck, kg	19000		20500	
/ Distribution of gross mass :				
- / tolerable on front axle, kg	7500		7500	
- / tolerable on rear axle, kg	11500		13000	
/ Equipped truck mass,kg	8225		8425	
/ Payload carried, kg	10700		12000	
³ / Volume of a platform , m ³	6,2(8,4**)		8,4 (10,6**)	
/ Engine	-5363		-5361	
/ Power, kW /hp	176 /240		198 /270	
/ Gearbox	ZF 9S1310 (9JS135 A)		ZF 9S1310 (9JS135 A)	
/ Number of speeds of the gearbox	9		9	
/ Gear ratio	6,4		6,4	
/ Maximum speed, km/h	85*		85*	
/ Fuel tank, l	300		300	
/ Tyres dimensions	12,00R20 315/80R22,5		12,00R20 315/80R22,5	
/ Cab				
/Type platform	/ small		/ small	

*) / With speed limited device

***) 8,4³ -5550 2-420(-480)-001
10,6³ -5550 3-420(-480)-012

/Technical data and dimension are given for standard configuration



АВТОМОБИЛИ - САМОСВАЛЫ

DUMP - TRUCKS

Автомобиль-самосвал с трехсторонней разгрузкой предназначен для перевозки различных сыпучих грузов в составе автопоезда

Dump-truck with three-side unloading is designed for carrying forming part of roadtrain of different bulk loads

(4x2)

/ MAZ

-5550 5-420

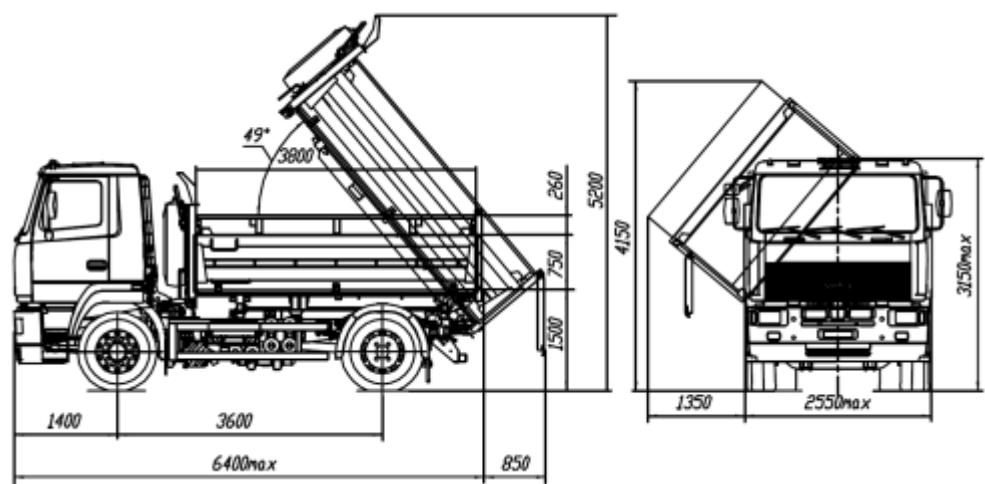
-5550 5-480



	-5550 5-420-021		-5550 5-480-021	
, / Tolerable gross mass of roadtrain, kg	37000		37000	
, / Tolerable gross mass of truck, kg	19000		19000	
/ Distribution of gross mass :				
- , / tolerable on front axle, kg	7500		7500	
- , / tolerable on rear axle, kg	11500		11500	
, / Equipped truck mass,kg				
, / Payload carried, kg				
, ³ / Volume of a platform, m ³				
/ Engine				
, / . . / Power, kW /hp				
/ Gearbox				
/ Number of speeds of the gearbox				
/ Gear ratio				
, / / Maximum speed, km/h				
, / Fuel tank, l				
/ Tyres dimensions				
/ Cab				
/ Type platform				
/ Equipment particularities				

*)
**) / With speed limited device

/ Technical data and dimension are given for standard configuration





Автомобиль-самосвал с трехсторонней разгрузкой предназначен для перевозки различных сыпучих грузов в составе автопоезда

Dump-truck with three-side unloading is designed for carrying forming part of roadtrain of different bulk loads

(4 2)

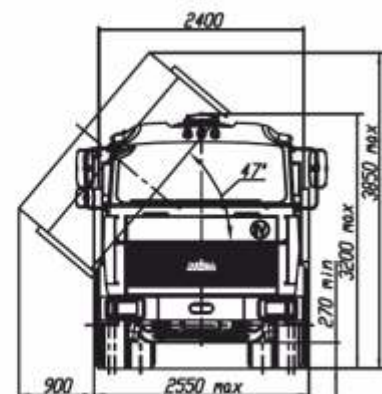
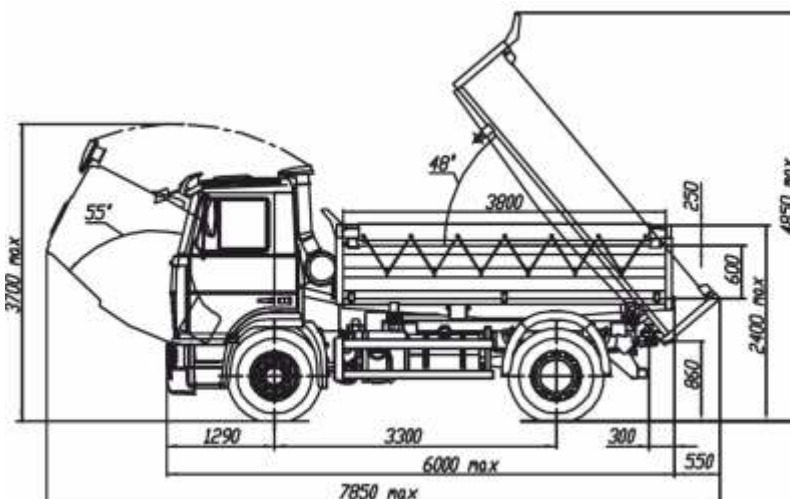
/ MAZ
-5551W3-425

-5551W3-425-000

	/ Tolerable gross mass of roadtrain, kg	33200
	/ Tolerable gross mass of truck, kg	18200
	/ Distribution of gross mass :	
-	/ tolerable on front axle, kg	6700
-	/ tolerable on rear axle, kg	11500
	/ Equipped truck mass,kg	8125
	/ Payload carried, kg	10000
	³ / Volume of a platform , m ³	5,5 (7,7**)
/ Engine		Cummins 6ISBe4 245 (-4)
	/ Power, kW/hp	180 / 245
/ Gearbox		9JS135 TA
	/ Number of speeds of the gearbox	9
	/ Gear ratio	6,4
	/ Maximum speed, km/h	85*
	/ Fuel tank, l	200
	/ Tyres dimensions	315/80R22,5
/ Cab		/ small
	/Type platform	
	/ Equipment particularities	

*) / With speed limited device
**)

/Technical data and dimension are given for standard configuration





DUMP - TRUCKS

Dump-truck with three-side unloading is designed for carrying forming part of roadtrain of different bulk loads

(6 4)

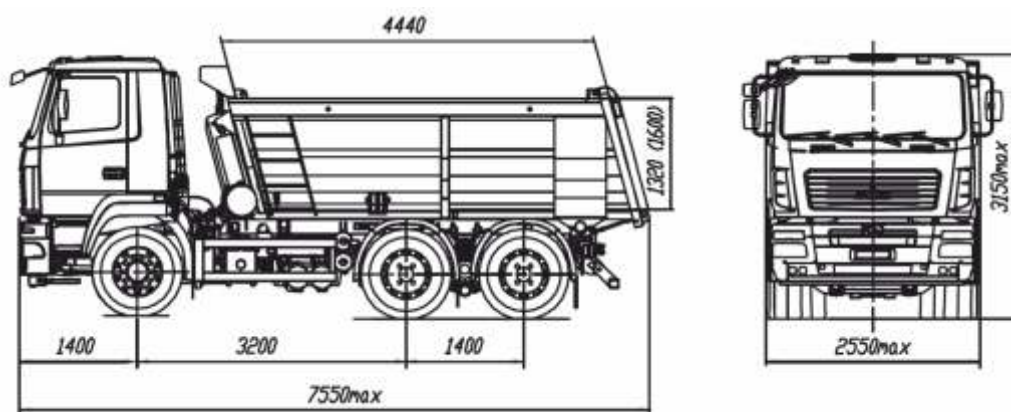
/ MAZ
-6501W6-420
-6501W6-420



			-6501W6-420-000 (-6501W6-421-000)
	/ Tolerable gross mass of truck, kg		33500
	/ Distribution of gross mass :		
-	/ tolerable on front axle, kg		7500
-	/ tolerable on rear axle, kg		26000
	/ Equipped truck mass,kg		12525(12725)
	/ Payload carried, kg		20900(20750)
	/ Volume of a platform ,m ³		12,5 (15,4)
/ Engine			Cummins ISLe 360 40 (-4)
	/ Power, kW /hp		265 / 360
/ Gearbox			12JS200 TA
/ Number of speeds of the gearbox			12
	/ Gear ratio		5,33
	/ Maximum speed, km/h		85*
	/ Fuel tank, l		300
	/ Tyres dimensions	12.00R20	315/80R22,5
/ Cab			
/ Type platform	U-		

*) / with speed limited device

/Technical data and dimension are given for standard configuration



DUMP - TRUCKS

Dump-truck with three-side unloading is designed for carrying forming part of roadtrain of different bulk loads

(6 4)

/ MAZ

-6501B5-480 -6501B5-482
-6501B5-481 -6501B5-484

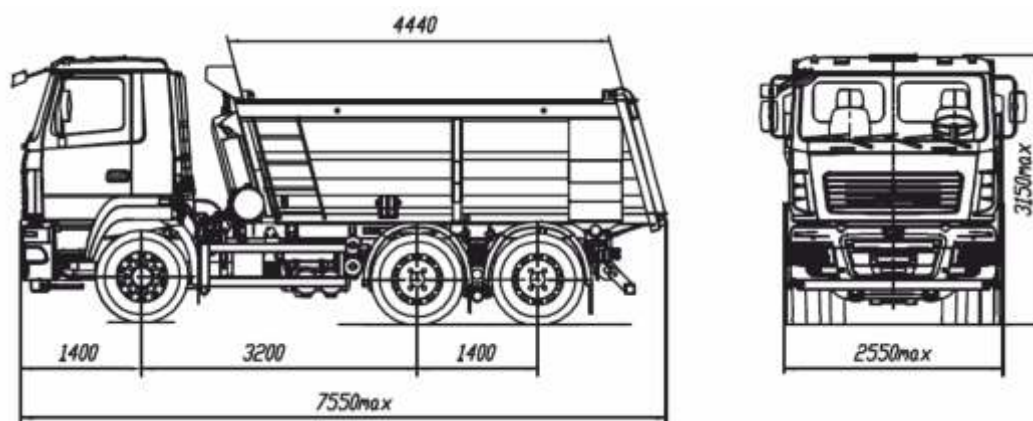


	-6501 5-480- 000 (-6501 5-481- 000)		-6501 5-482- 000 (-6501 5-484- 000)	
/ Tolerable gross mass of truck, kg	33500		33500	
/ Distribution of gross mass :				
- / tolerable on front axle, kg	7500		7500	
- / tolerable on rear axle, kg	26000		26000	
/ Equipped truck mass,kg	12425 (12575)		12775 (12925)	
/ Payload carried, kg	21000 (20850)		20650 (20500)	
³ / Volume of a platform, m ³	12,5 (15,4)		12,5 (15,4)	
/ Engine	-536.10 (-4)		-536.10 (-4)	
/ Power, kW /hp	228/310		228/310	
/ Gearbox	9JS135TA		9JS135TA	
/ Number of speeds of the gearbox	9		9	
/ Gear ratio	6,4		6,4	
/ Maximum speed, km/h	85*		85*	
/ Fuel tank, l	300		300	
/ Tyres dimensions	12.00R20	315/80R22,5	12.00R20	315/80R22,5
/ Cab				
/ Type platform	U-			

*)

/ With speed-limiting device

/ Technical data and dimension are given for standard configuration





Автомобиль-самосвал с задней разгрузкой, предназначен для перевозки различных сыпучих грузов

Dump-truck with three-side unloading is designed for carrying forming part of roadtrain of different bulk loads

(6x4)

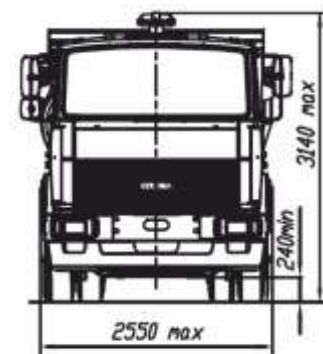
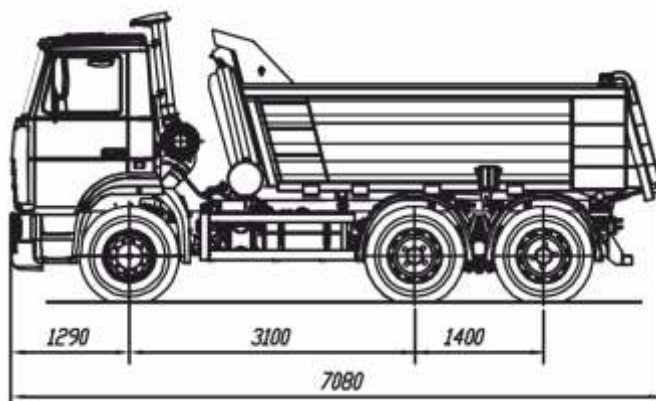
**/ MAZ
-5516W4-420**

-5516W4-420-000

	/ Tolerable gross mass of truck, kg	25000
	/ Distribution of gross mass :	
-	/ tolerable on front axle, kg	6000
-	/ tolerable on rear axle, kg	19000
	/ Equipped truck mass,kg	9825
	/ Payload carried, kg	15100
	³ / Volume of a platform, m ³	9
/ Engine	Cummins 6ISBe4 300 (-4)	
	/ Power, kW /hp	220 / 300
/ Gearbox	9JS135TA	
/ Number of speeds of the gearbox	9	
	/ Gear ratio	5,43
	/ Maximum speed, km/h	85*
	/ Fuel tank, l	200
	/ Tyres dimensions	295/80R22,5
/ Cab		/ small
	/ Type platform	

*) / With speed-limiting device

/ Technical data and dimension are given for standard configuration





АВТОМОБИЛИ - САМОСВАЛЫ DUMP - TRUCKS



Автомобиль-самосвал с трехсторонней разгрузкой предназначен для перевозки различных сыпучих грузов в составе автопоезда

Dump-truck with three-side unloading designed for carrying forming part of roadtrain of different bulk loads

(6 4)

/ MAZ

-6501 9-470

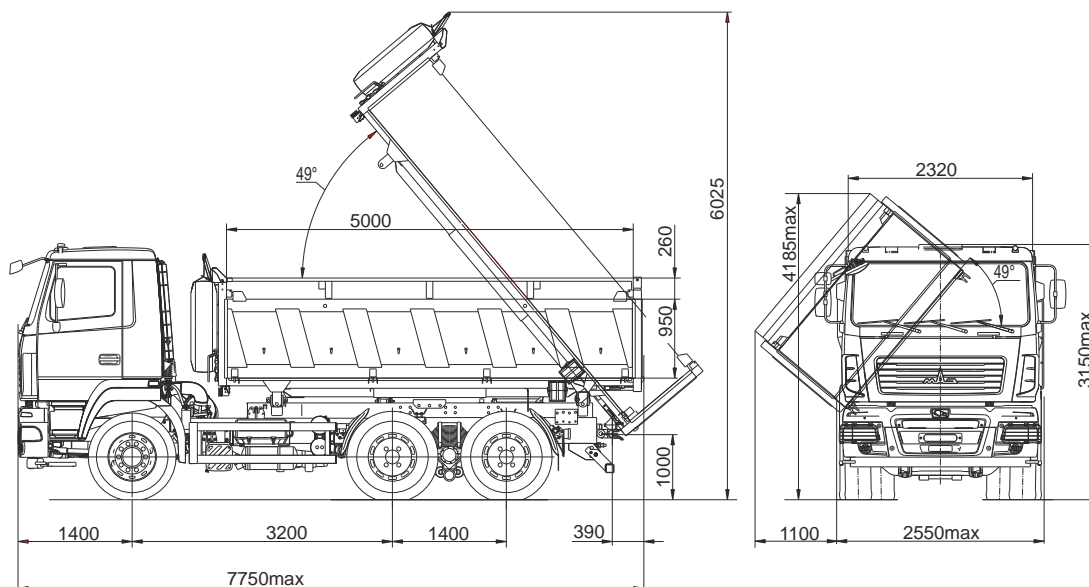
-6501 9-470-021

	/ Tolerable gross mass of truck, kg	33500
	/ Distribution of gross mass :	
-	/ tolerable on front axle, kg	7500
-	/ tolerable on rear axle, kg	26000
	/ Equipped truck mass,kg	13125
	/ Payload carried, kg	20300
	³ / Volume of a platform dump-truck, m ³	11 (14)**
/ Engine		-651.10 (-4)
	/ Power, kW / hp	302 / 412
/ Gearbox		12JS200 A
	/ Number of speeds of the gearbox	12
	/ Gear ratio	4.59
	/ Maximum speed, km/h	85*
	/ Fuel tank, l	300
	/ Tyres dimensions	12.00R20 315/80R22,5
/ Cab		/ small
	/ Type platform	
	/ Equipment particularities	

*) / With speed-limiting device

**)/ put on boards

/ Technical data and dimension are given for standard configuration





DUMP - TRUCKS

Dump truck vehicle with side unload is designed for different agricultural bulk cargo transportation

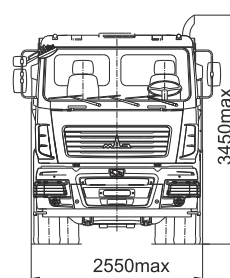
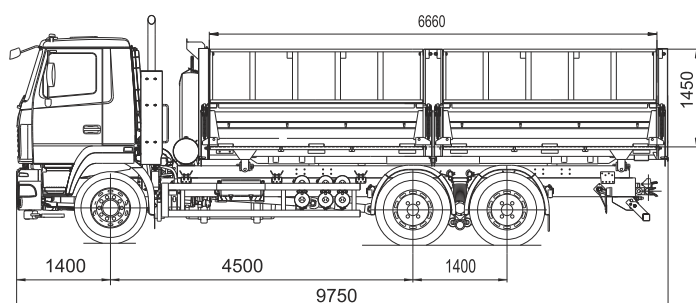
(6 4)

/ MAZ
-6501 9-470

-6501 9-471

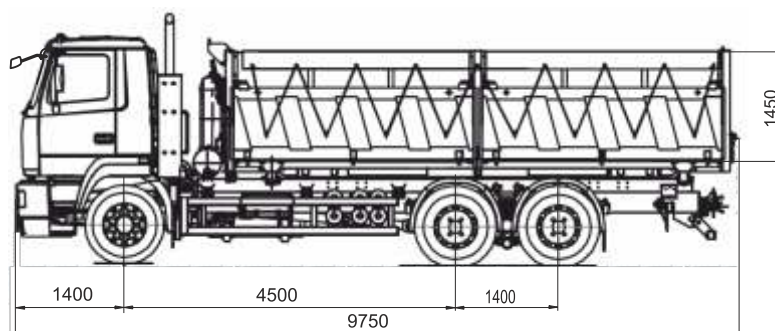
	-6501 9-470-031	-6501 9-471-031
/ Tolerable gross mass of truck, kg	33500	
/ Distribution of gross mass :		
- / tolerable on front axle, kg	7500	
- / tolerable on rear axle, kg	26000	
/ Equipped truck mass,kg	14425	
/ Payload carried, kg	19000	
/ Volume of a platform ,m ³	22	
/ Engine	-651.10 (-4)	
/ Power, kW /hp	302 / 412	
/ Gearbox	12JS200 TA	
/ Number of speeds of the gearbox	12	
/ Gear ratio	4,59	
/ Maximum speed, km/h	85*	
/ Fuel tank, l	500	
/ Tyres dimensions	12.00R20	315/80R22,5
/ Cab	/ small	
/ Type platform		
/ Equipment particularities		
/ Additional equipment		
*) / With speed-limiting device		

/Technical data and dimension are given for standard configuration



-6501 9-470-031

-6501 9-471-031





АВТОМОБИЛИ - САМОСВАЛЫ DUMP - TRUCKS



Автомобиль-самосвал с трехсторонней разгрузкой предназначен для перевозки различных сыпучих грузов в составе автопоезда

Dump-truck with three-side unloading signed for carrying forming part of roadtrain of different bulk loads

(6 4)

/ MAZ

-650119-420

-6501E9-520

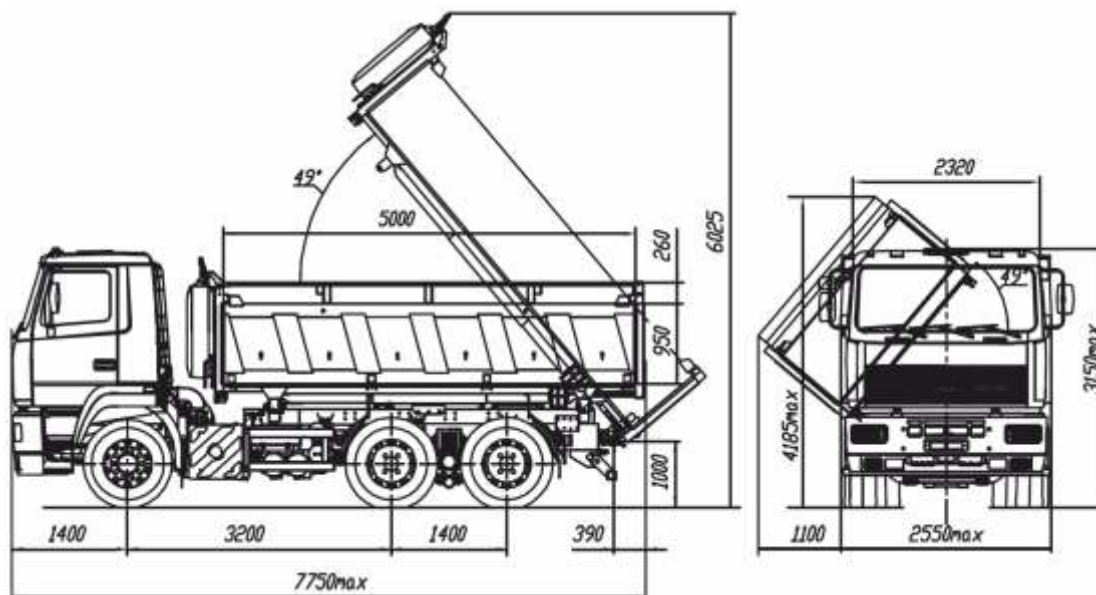
-650119-420-021
(-6501 9-520- 021)

	/ Tolerable gross mass of truck, kg	33500
	/ Distribution of gross mass :	
-	/ tolerable on front axle, kg	7500
-	/ tolerable on rear axle, kg	26000
	/ Equipped truck mass,kg	12925
	/ Payload carried, kg	20500
	³ / Volume of a platform dump-truck, m ³	11 (14)**
/ Engine	OM 501LA.IV (-4) (OM 501LA.V (-5))	
	/ Power, kW / hp	320 / 435
/ Gearbox	ZF 16S221	
	/ Number of speeds of the gearbox	16
	/ Gear ratio	4.2
	/ Maximum speed, km/h	85*
	/ Fuel tank, l	300
	/ Tyres dimensions	315/80R22,5
/ Cab		/ small
	/ Type platform	
	/ Equipment particularities	

*) / With speed-limiting device

**)/ put on boards

/Technical data and dimension are given for standard configuration



АВТОМОБИЛИ - САМОСВАЛЫ

DUMP - TRUCKS

Автомобиль-самосвал с задней разгрузкой, предназначен для перевозки различных сыпучих грузов

Dump-truck with three-side unloading is designed for carrying forming part of roadtrain of different bulk loads

(6x4)

/ MAZ
-6517X5-480



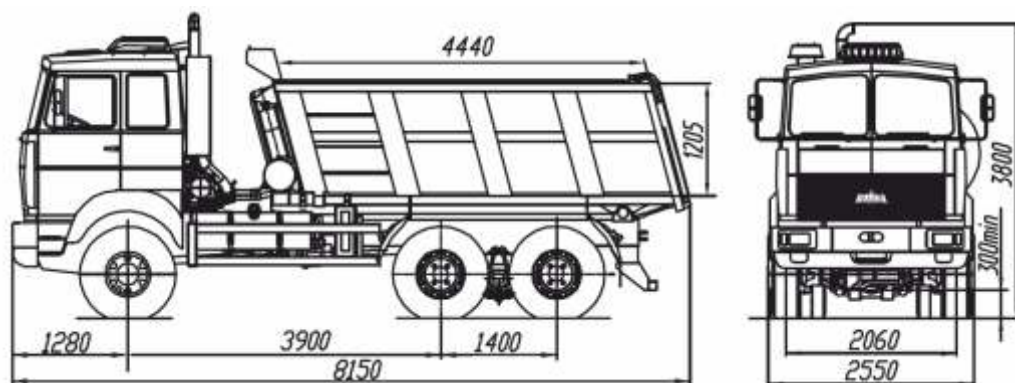
-6517X5-480- 000

	/ Tolerable gross mass of truck, kg	33250
	/ Distribution of gross mass :	
-	/ tolerable on front axle, kg	7250
-	/ tolerable on rear axle, kg	26000
	/ Equipped truck mass,kg	14100
	/ Payload carried, kg	19000
	³ / Volume of a platform, m ³	12,5
/ Engine		-65853 (-4)
	/ Power, kW /hp	243 / 330
/ Gearbox		-239
/ Number of speeds of the gearbox		9
	/ Gear ratio	5,49
	/ Maximum speed, km/h	81
	/ Fuel tank, l	350
	/ Tyres dimensions	12.00R20
/ Cab		/ large
/Type platform		-
/ Equipment particularities		“ ” - -

*)

/ With speed-limiting device

/Technical data and dimension are given for standard configuration





АВТОМОБИЛИ - САМОСВАЛЫ DUMP - TRUCKS



Автомобиль-самосвал с задней разгрузкой, предназначен для перевозки различных сыпучих грузов

Dump-truck with three-side unloading is designed for carrying forming part of roadtrain of different bulk loads

(6 6)

/ MAZ

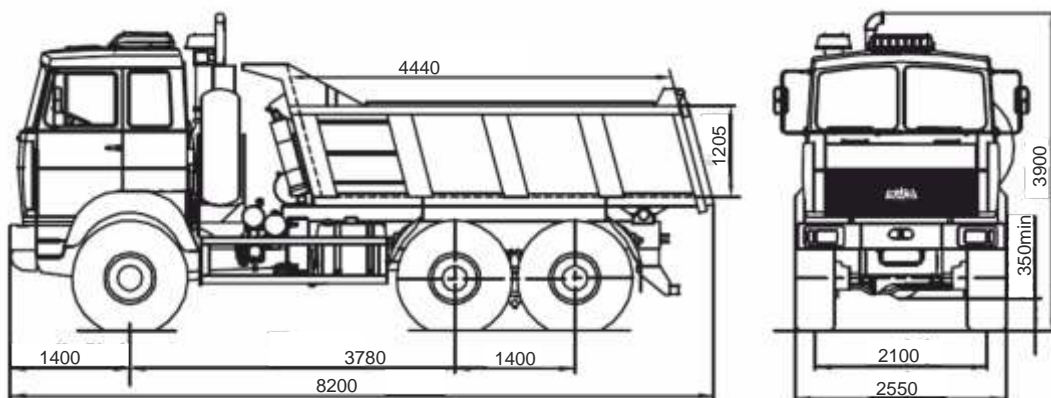
-6517 9-410

-6517 9-410-000

	/ Tolerable gross mass of truck, kg	33500
	/ Distribution of gross mass :	
-	/ tolerable on front axle, kg	7500
-	/ tolerable on rear axle, kg	26000
	/ Equipped truck mass,kg	14500
	/ Payload carried, kg	19000
	³ / Volume of a platform dump-truck, m ³	12,5
/ Engine		-6585.10(-4)
	/ Power, kW / hp	309 / 420
/ Gearbox		-239
/ Number of speeds of the gearbox		9
	/ Gear ratio	6,59
	/ Maximum speed, km/h	80
	/ Fuel tank, l	300
	/ Tyres dimensions	16,00R20
/ Cab		/ large
/ Type platform		
/ Equipment particularities		

*) / With speed-limiting device

/ Technical data and dimension are given for standard configuration





DUMP - TRUCKS

Автомобиль-самосвал с задней разгрузкой, предназначен для перевозки различных сыпучих грузов

Dump-truck with three-side unloading is designed for carrying forming part of roadtrain of different bulk loads

(8 4)

/ MAZ
-6516W8-420



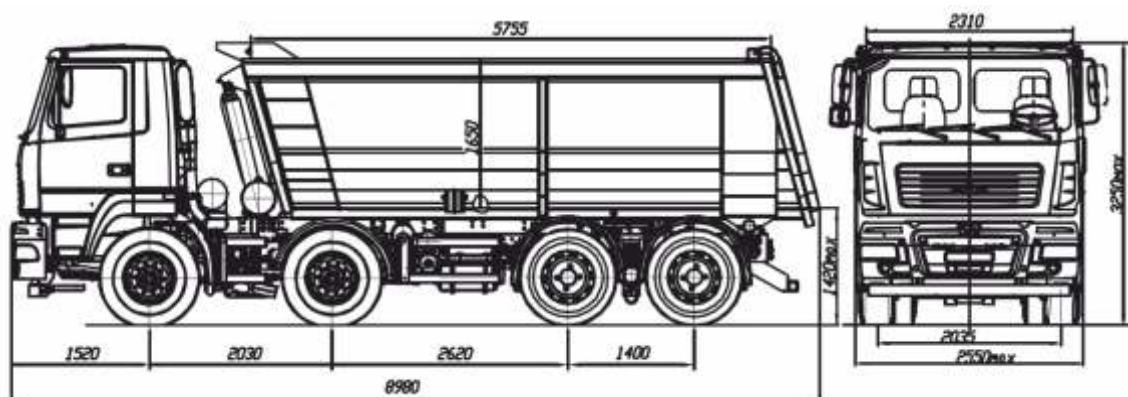
-6516W8-420-000

	/ Tolerable gross mass of truck, kg	41800
	/ Distribution of gross mass :	
-	/ tolerable on front axle, kg	7500+7500
-	/ tolerable on rear axle, kg	26800
	/ Equipped truck mass,kg	14825
	/ Payload carried, kg	26900
	³ / Volume of a platform, m ³	21
/ Engine	Cummins ISLe 400 40 c AdBlue (E -4)	
	/ Power, kW / hp	294 / 400
/ Gearbox		12JS200 TA
/ Number of speeds of the gearbox		12
	/ Gear ratio	5,33
	/ Maximum speed, km/h	85*
	/ Fuel tank, l	300
	/ Tyres dimensions	315/80R22.5
/ Cab		/ small
	/ Type platform	
	/ Equipment particularities	

*)

/ With speed-limiting device

/ Technical data and dimension are given for standard configuration





Автомобиль-самосвал с задней разгрузкой, предназначен для перевозки различных сыпучих грузов

Dump-truck with three-side unloading is designed for carrying forming part of roadtrain of different bulk loads

(8 4)

/ MAZ
-6516 9-480

	-6516 9-480-000
, / Tolerable gross mass of truck, kg	41800
/ Distribution of gross mass :	
- , / tolerable on front axle, kg	7500+7500
- , / tolerable on rear axle, kg	26800
, / Payload carried, kg	26900
, / Equipped truck mass, kg	14825
, ³ / Volume of a platform, m ³	21
/ Engine	-651.10 (E -4)
, / . . / Power, kW / hp	303 / 412
/ Gearbox	12JS200TA
/ Number of speeds of the gearbox	12
/ Gear ratio	5,33
, / / Maximum speed, km/h	85*
, / Fuel tank, l	300
/ Tyres dimensions	315/80R22,5
/ Cab	/ small
/ Type platform	/ end dumping platform
/ Equipment particularities	

*) / With speed-limiting device

/ Technical data and dimension are given for standard configuration

